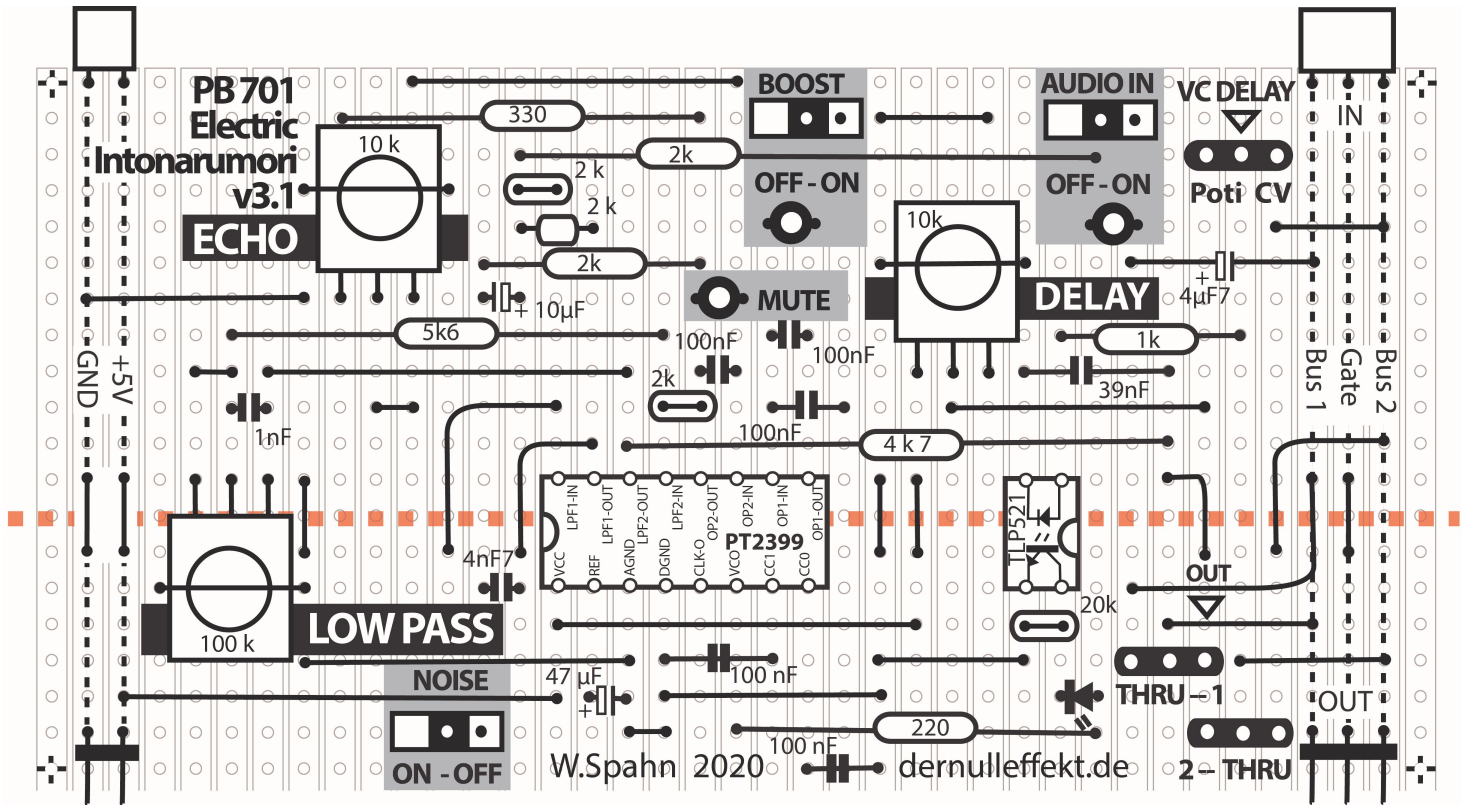
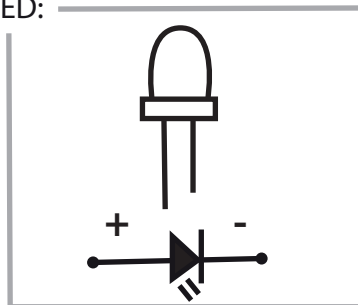


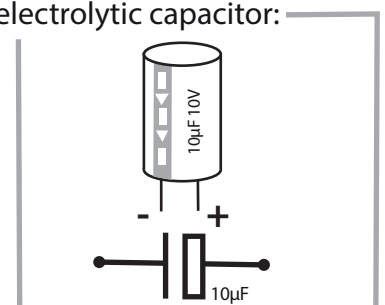
Paper Bits 701 - Electric Intonarumori



LED:



electrolytic capacitor:



Resistors:

- 1x 330 Ohm
- 1x 220 Ohm
- 1x 1 kOhm
- 5x 2 kOhm
- 1x 4,7 kOhm
- 1x 5,6 kOhm
- 1x 20 kOhm

Capacitors:

- 1x 1 nF (foil)
- 1x 4.7 nF (foil)
- 1x 39 nF (Foil)
- 5x 100 nF (foil)

Electrolytic Capacitors:

- 1x 4,7 µF
- 1x 10 µF
- 1x 47 µF

Semiconductors:

- 1x LED
- 1x digital delay PT 2399
- 1x optocoupler TLP521

Potentiometers:

- 2x 10k
- 1x 100k

Mechanical:

- 1x IC socket, 16 pin
- 1x IC socket, 4 pin
- 1x pin strip 1x9
- 2x pin header, female 90° 1x3, 1x2
- 2x pin header, male 90° 1x3, 1x2
- 3x mini switch
- 3x push button
- 3x jumpers