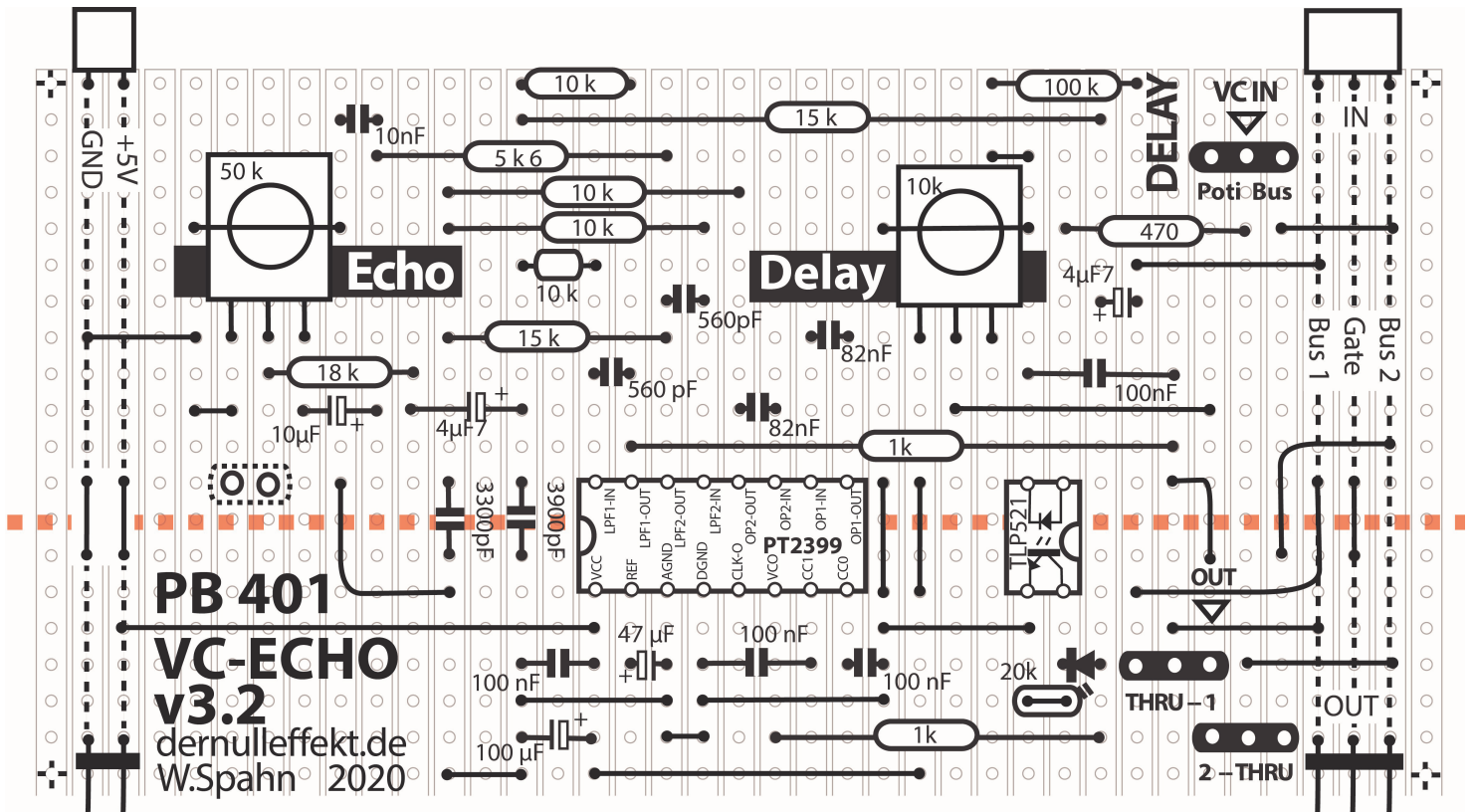


Paper Bits 401 - VC Echo



Resistors:

- 1x 470 Ohm
- 1x 1 kOhm
- 1x 5,6 kOhm
- 4x 10 kOhm
- 2x 15 kOhm
- 1x 18 kOhm
- 1x 20 kOhm
- 1x 100 kOhm

Capacitors:

- 2x 560 pF (foil)
- 1x 3300 pF (foil)
- 1x 3900 pF (foil)
- 1x 10 nF (foil)
- 1x 39 nF (foil)
- 5x 100 nF (foil)

Electrolytic Capacitors:

- 2x 4,7 µF
- 1x 10 µF
- 1x 47 µF
- 1x 100µF

Semiconductors:

- 1x LED
- digital delay PT 2399
- optocoupler TLP 521

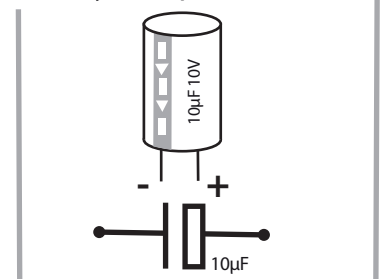
Potentiometers:

- 1x 10k
- 1x 50k

Mechanical:

- 1x IC socket, 16 pin
- 1x IC socket, 4 pin
- 1x pin strip 1x10
- 2x pin header, female 90° 1x3, 1x2
- 2x pin header, male 90° 1x3, 1x2
- 3x jumpers

electrolytic capacitor:



LED:

